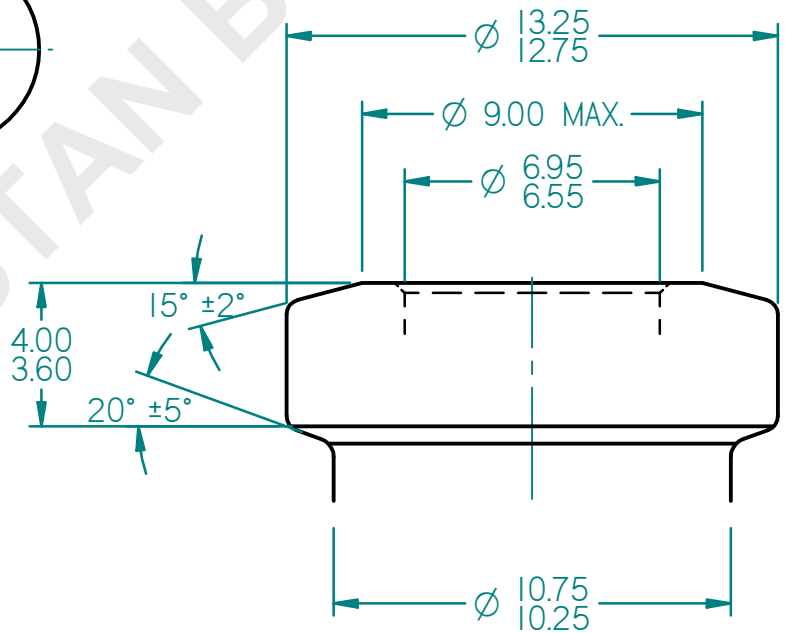
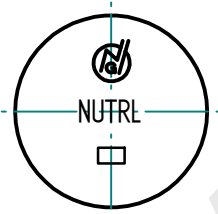
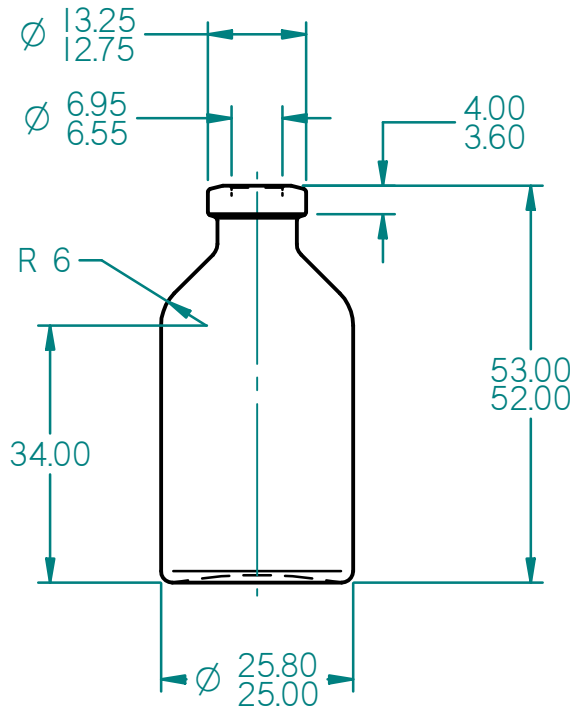


RELEASE

DATE:

COMPANY:



FINISH - 13 mm S.O.C.

Protective note ISO 16016 observed

GENERAL TOLERANCES DIN 6129-1 (DIMENSIONS WITHOUT TOLERANCES ARE FOR REFERENCE ONLY)				FINISH: 13 mm S.O.C.		O'FLOW CAPACITY: 12.70 - 13.70 ml		ARTICLE NO.:			
				FINISH DWG: NA		WEIGHT: 18 g Approx		5151280100			
				FINISH MOLD NO: 971		TYPE OF GLASS: I COLOUR: FLINT					
				DATE	NAME	TITLE: <h1 style="text-align: center;">10 ml NOVO</h1>					
				DRAWN	21/11/2013					Paresh	
				CHECKED	21/11/2013					H.B.P.	
				SCALE	1 : 1, 5 : 1						
						MOLD NO.:	DRAWING NO.:	REVISION	SHEET	FORMAT	
1	SUPERSEDES PREVIOUS DRG.	21/11/13	Paresh			071	B 1280	1	1 OF 1	A4	
REV.	CHANGE	DATE	NAME	NEUTRAL GLASS & ALLIED INDS. PVT. LTD. MUMBAI / KOSAMBA		FILE: 10 ml NOVO.dft					